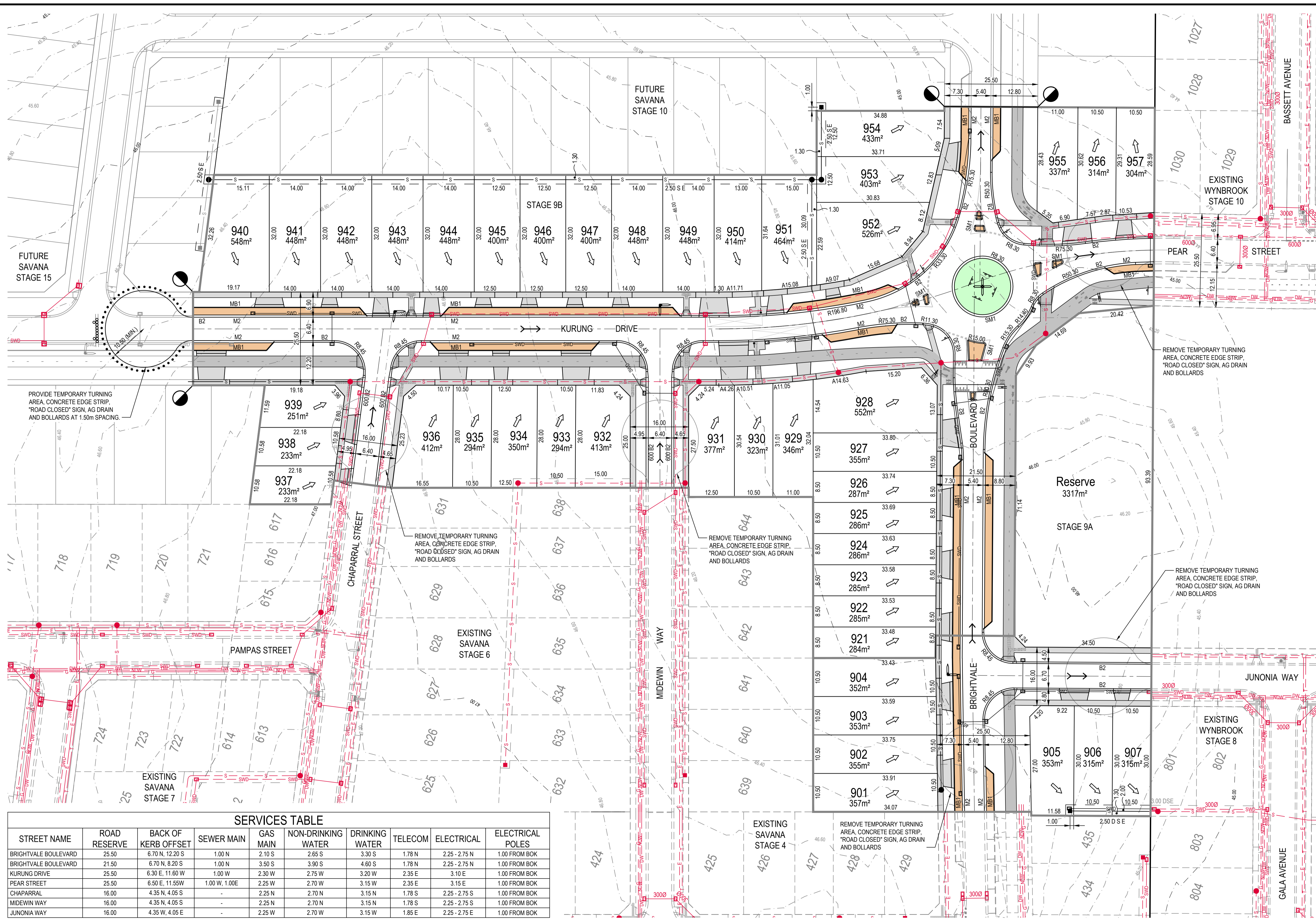


DATE PLOTTED: 1 August 2017 4:43 PM BY: NATHAN WHITE

CR: X:\162288-CI-BASE\_XR-V170212-CI-FUTURE\_XR-V161541-CI-BASE\_XR-CG150819-CI-BASE\_XR-V170212-CI-SERTABLE\_XR-CG150819-CI-BASE\_XR-V170212-CI-HATCH  
 CAD File: M:\2017\0001\_0500\170212\_Savana\_Stage\_9\Civil\Drawing\170212-CI-0050.dwg



**LEGEND**

- 51.0 EXISTING SURFACE CONTOUR - MAJOR
- 51.5 EXISTING SURFACE CONTOUR - MINOR
- FALL OF ALLOTMENT
- KERB AND CHANNEL (AS SHOWN)
- X EXISTING FEATURES TO BE REMOVED
- DIRECTION OF OVERLAND FLOW
- VEHICLE EXCLUSION FENCE - BY OTHERS
- "NO ROAD" SIGN AND BARRIER
- SWD PROPOSED STORMWATER DRAIN AND PIT
- MD PROPOSED MELBOURNE WATER SCHEME DRAIN AND PIT
- S SEWER MAINTENANCE STRUCTURES
- EXISTING SEWER MAINTENANCE STRUCTURES
- MD EXISTING MAIN DRAIN
- SWD EXISTING STORMWATER DRAIN
- E EXISTING ELECTRICITY
- G EXISTING GAS
- T EXISTING TELECOM
- DW EXISTING DRINKING WATER
- NDW EXISTING NON-DRINKING WATER
- E OH EXISTING ELECTRICITY OVERHEAD
- PROPOSED STREET SIGN
- GARBAGE COLLECTION POINT
- 1.5m RADIUS NO DIG ZONE AROUND EXISTING OVERHEAD ELECTRICAL POLES
- VEHICLE CROSSING AND FOOTPATH
- SHARED PATH / BIKE PATH
- CONCRETE INFILL
- LANDSCAPING
- BUS STOP LINEMARKING

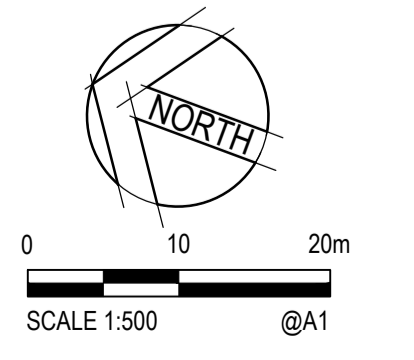
**WARNING**  
 HIGH PRESSURE GAS MAINS IN CLOSE PROXIMITY

**WARNING**  
 BEWARE OF UNDERGROUND SERVICES  
 THE LOCATION OF UNDERGROUND SERVICES ARE APPROXIMATE ONLY AND THEIR EXACT POSITIONS SHOULD BE PROVEN ON SITE. NO GUARANTEE IS GIVEN THAT ALL EXISTING SERVICES ARE SHOWN.

**SERVICES TABLE**

STREET NAME	ROAD RESERVE	BACK OF KERB OFFSET	SEWER MAIN	GAS MAIN	NON-DRINKING WATER	DRINKING WATER	TELECOM	ELECTRICAL	ELECTRICAL POLES
BRIGHTVALE BOULEVARD	25.50	6.70 N, 12.20 S	1.00 N	2.10 S	2.65 S	3.30 S	1.78 N	2.25 - 2.75 N	1.00 FROM BOK
BRIGHTVALE BOULEVARD	21.50	6.70 N, 8.20 S	1.00 N	3.50 S	3.90 S	4.60 S	1.78 N	2.25 - 2.75 N	1.00 FROM BOK
KURUNG DRIVE	25.50	6.30 E, 11.60 W	1.00 W	2.30 W	2.75 W	3.20 W	2.35 E	3.10 E	1.00 FROM BOK
PEAR STREET	25.50	6.50 E, 11.55 W	1.00 W, 1.00E	2.25 W	2.70 W	3.15 W	2.35 E	3.15 E	1.00 FROM BOK
CHAPARRAL	16.00	4.35 N, 4.05 S	-	2.25 N	2.70 N	3.15 N	1.78 S	2.25 - 2.75 S	1.00 FROM BOK
MIDEWIN WAY	16.00	4.35 N, 4.05 S	-	2.25 N	2.70 N	3.15 N	1.78 S	2.25 - 2.75 S	1.00 FROM BOK
JUNONIA WAY	16.00	4.35 W, 4.05 E	-	2.25 W	2.70 W	3.15 W	1.85 E	2.25 - 2.75 E	1.00 FROM BOK

Rev.	Date	Description	Des.	Verif.	Appd.
5	28/07/2017	EXTERNAL ISSUE	M.S.	S.C.	
4	04/07/2017	EXTERNAL ISSUE	M.S.	S.C.	
3	03/07/2017	EXTERNAL ISSUE - STAGE 9B LOTS AMENDED	M.S.	S.C.	
2	15/05/2017	EXTERNAL ISSUE	M.S.	S.C.	
1	06/04/2017	PRELIMINARY ISSUE	M.S.	S.C.	



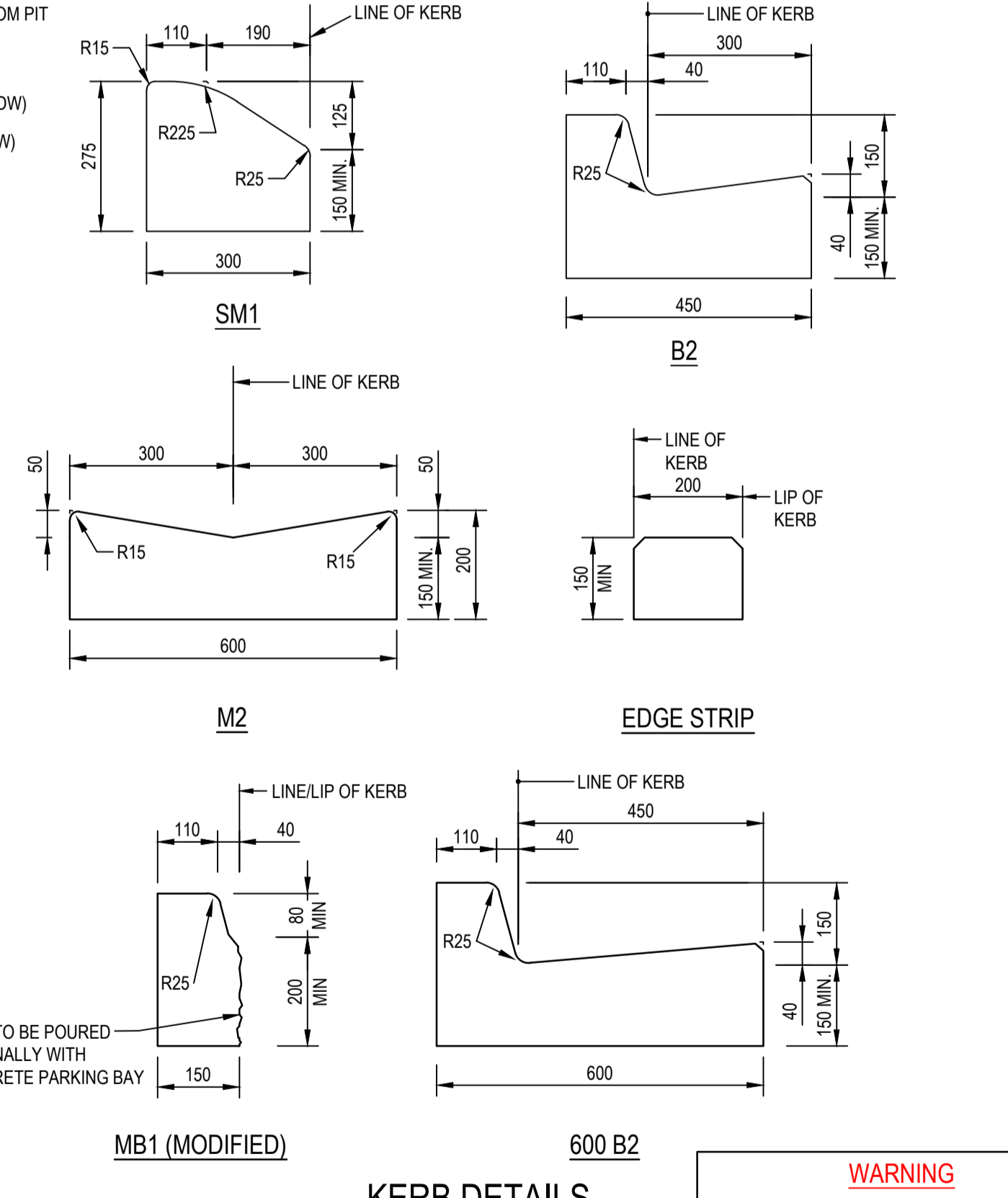
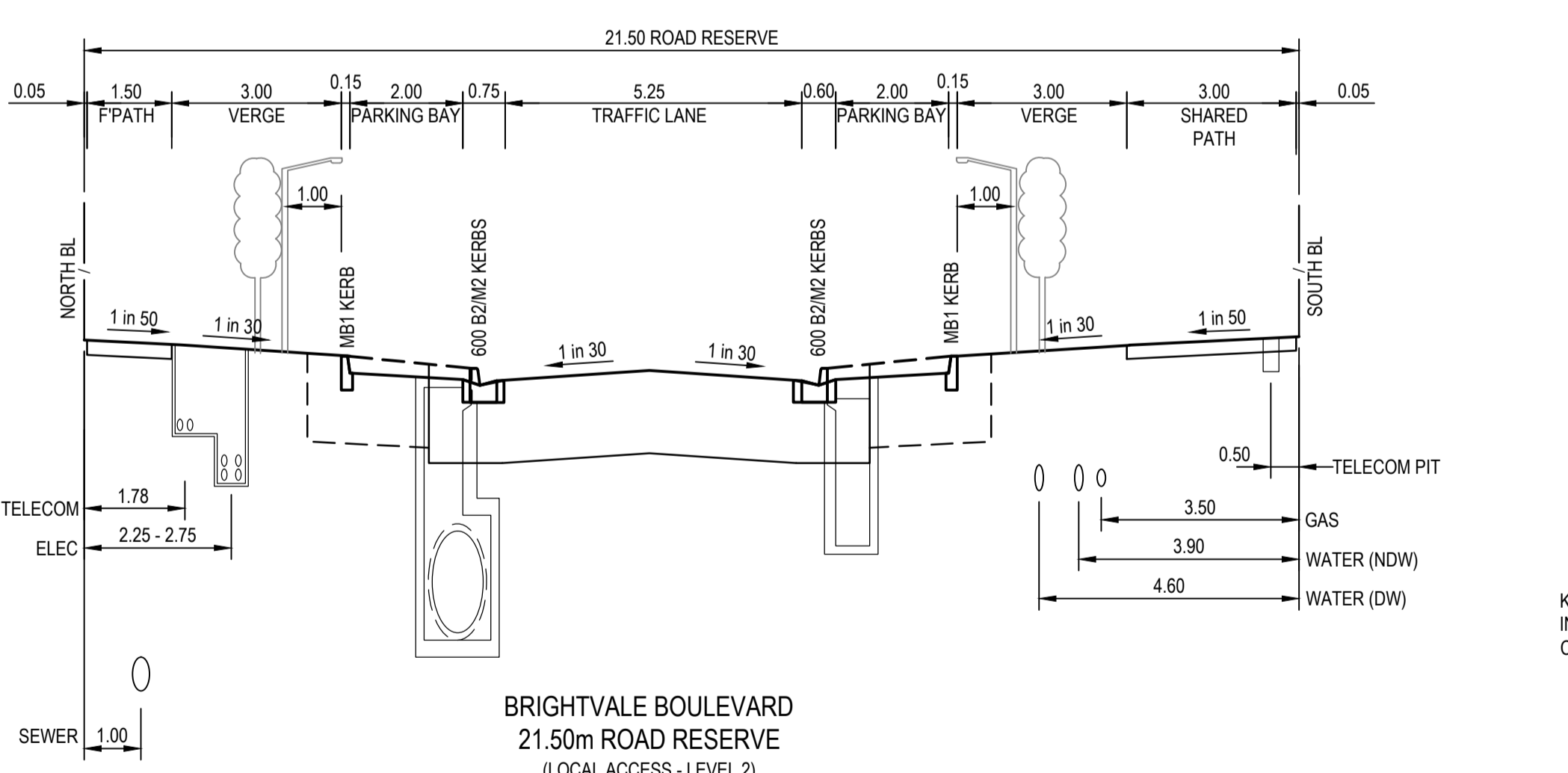
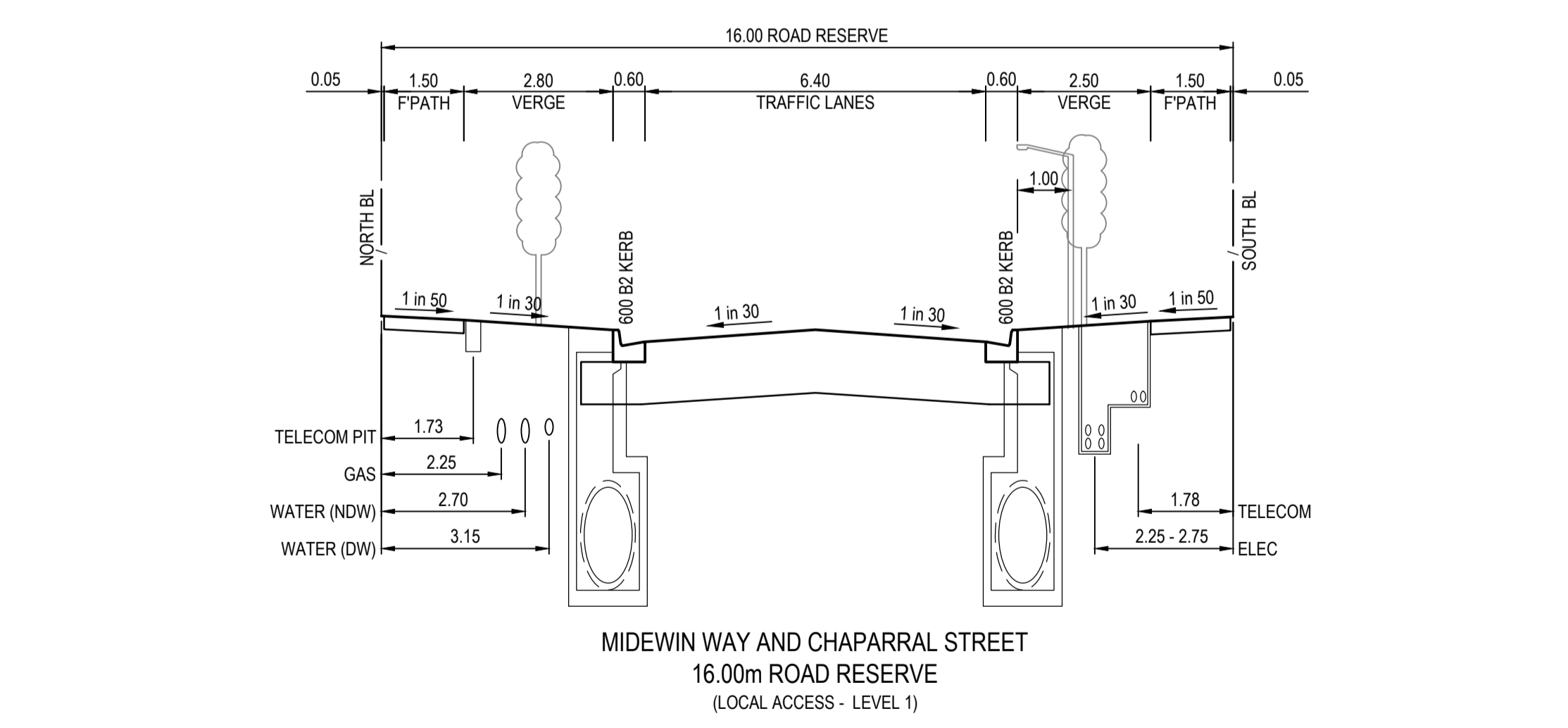
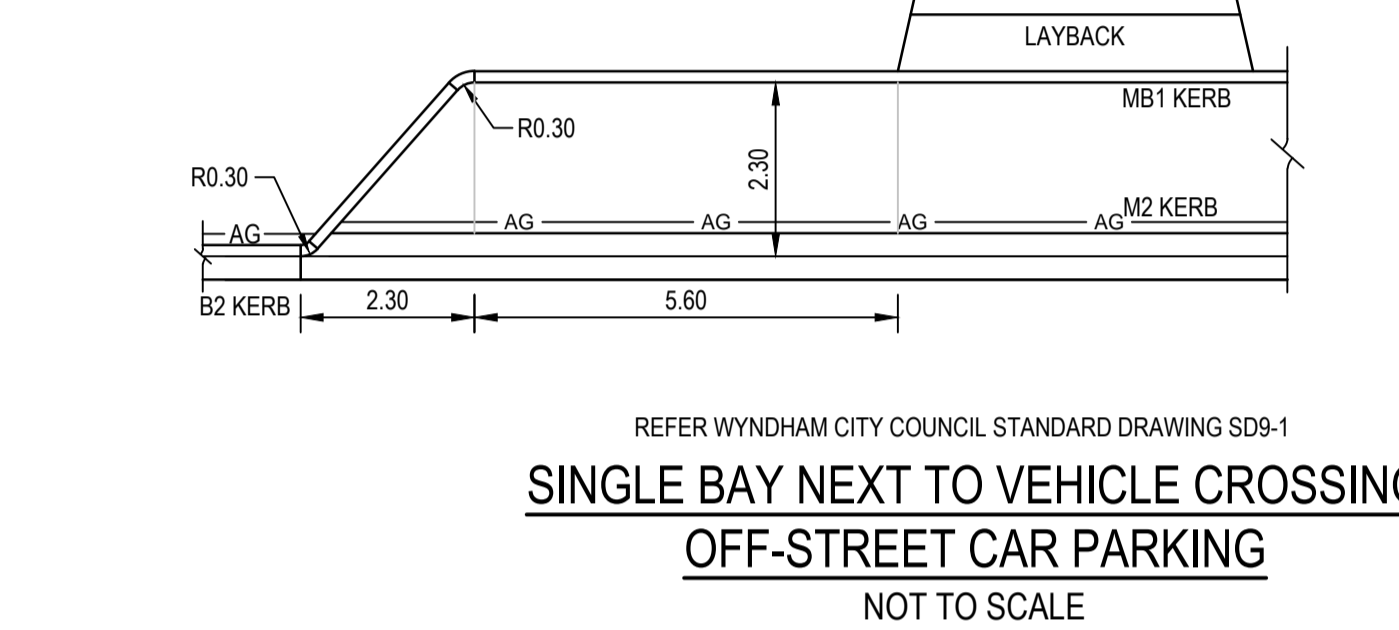
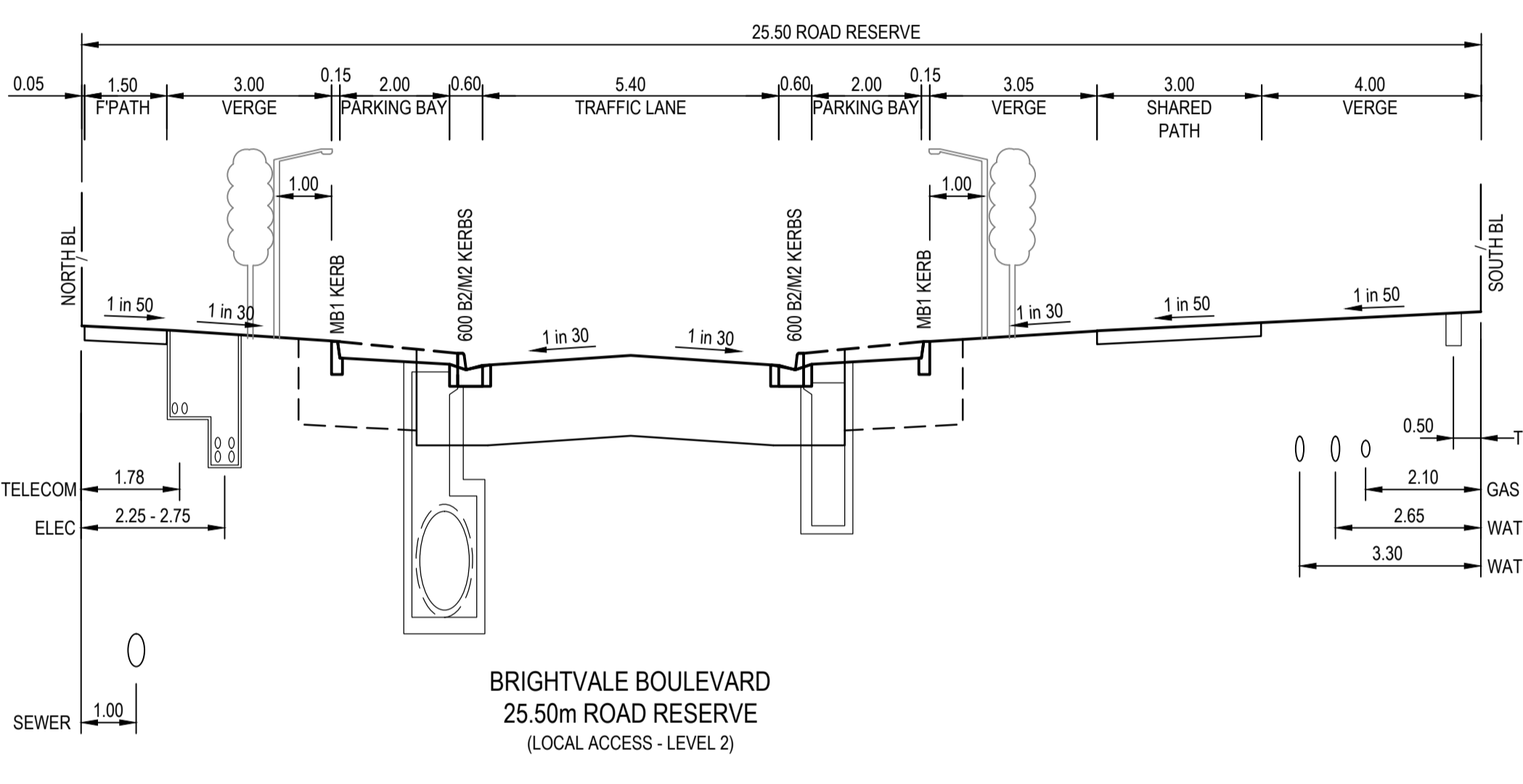
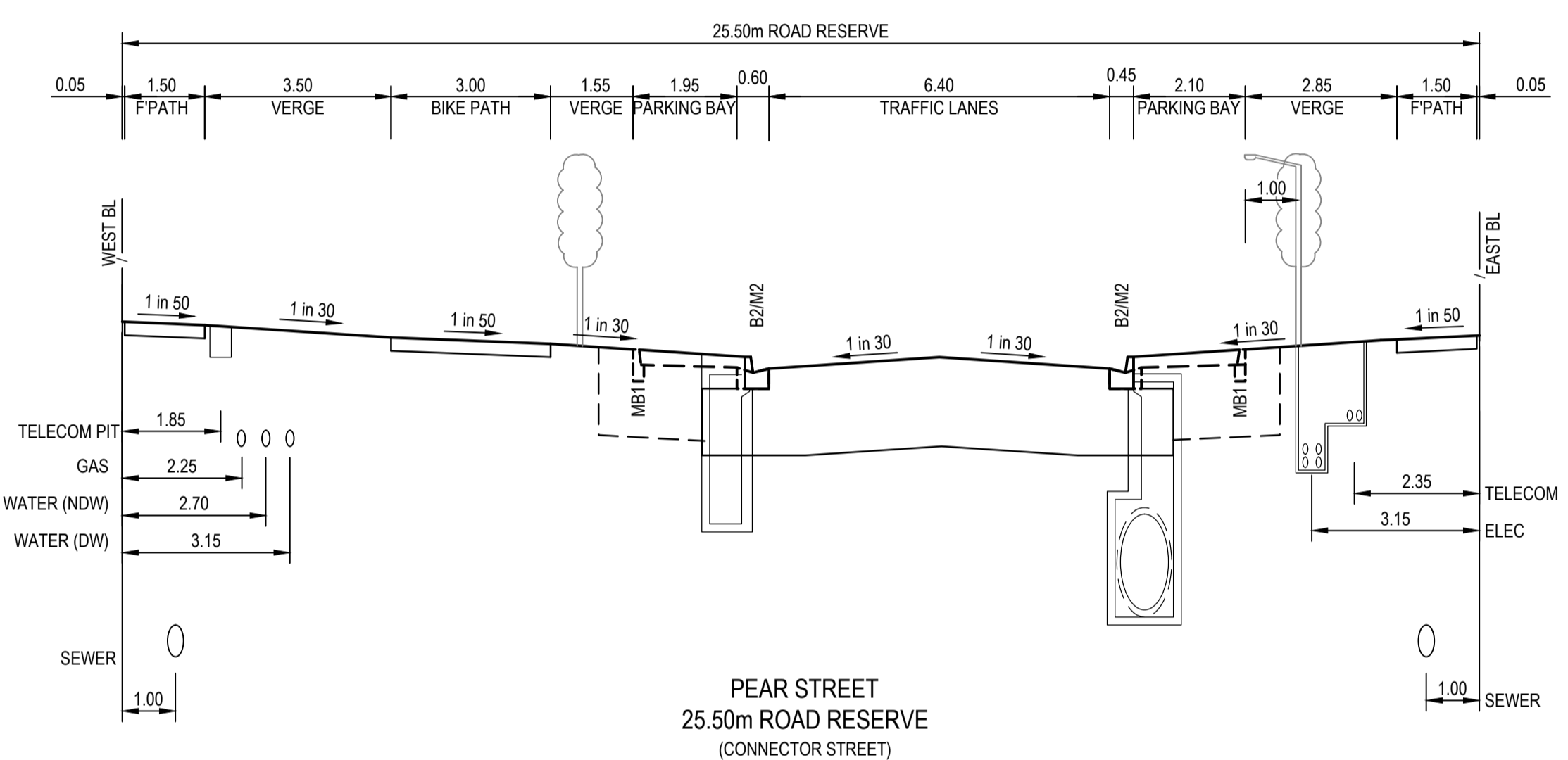
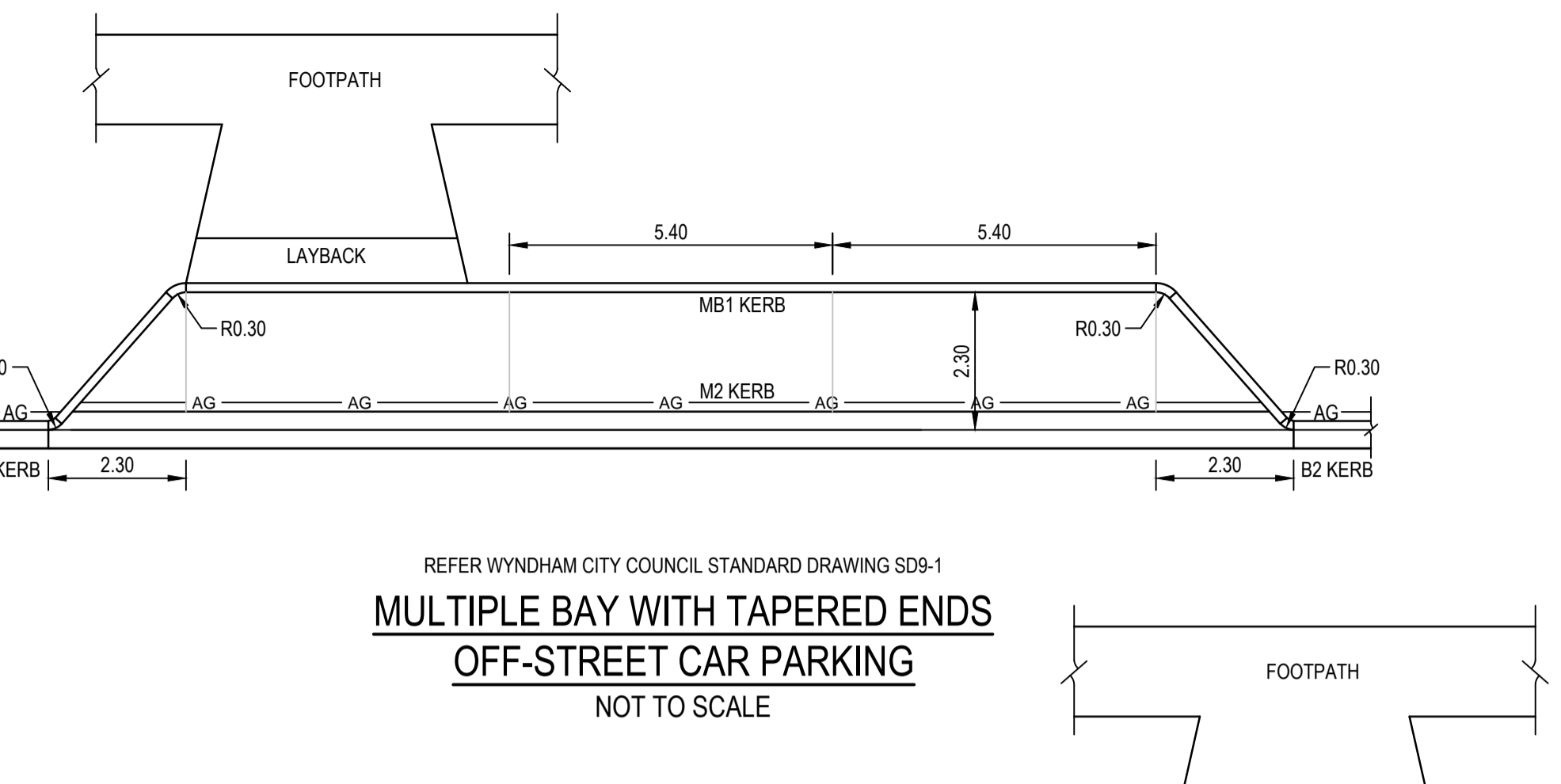
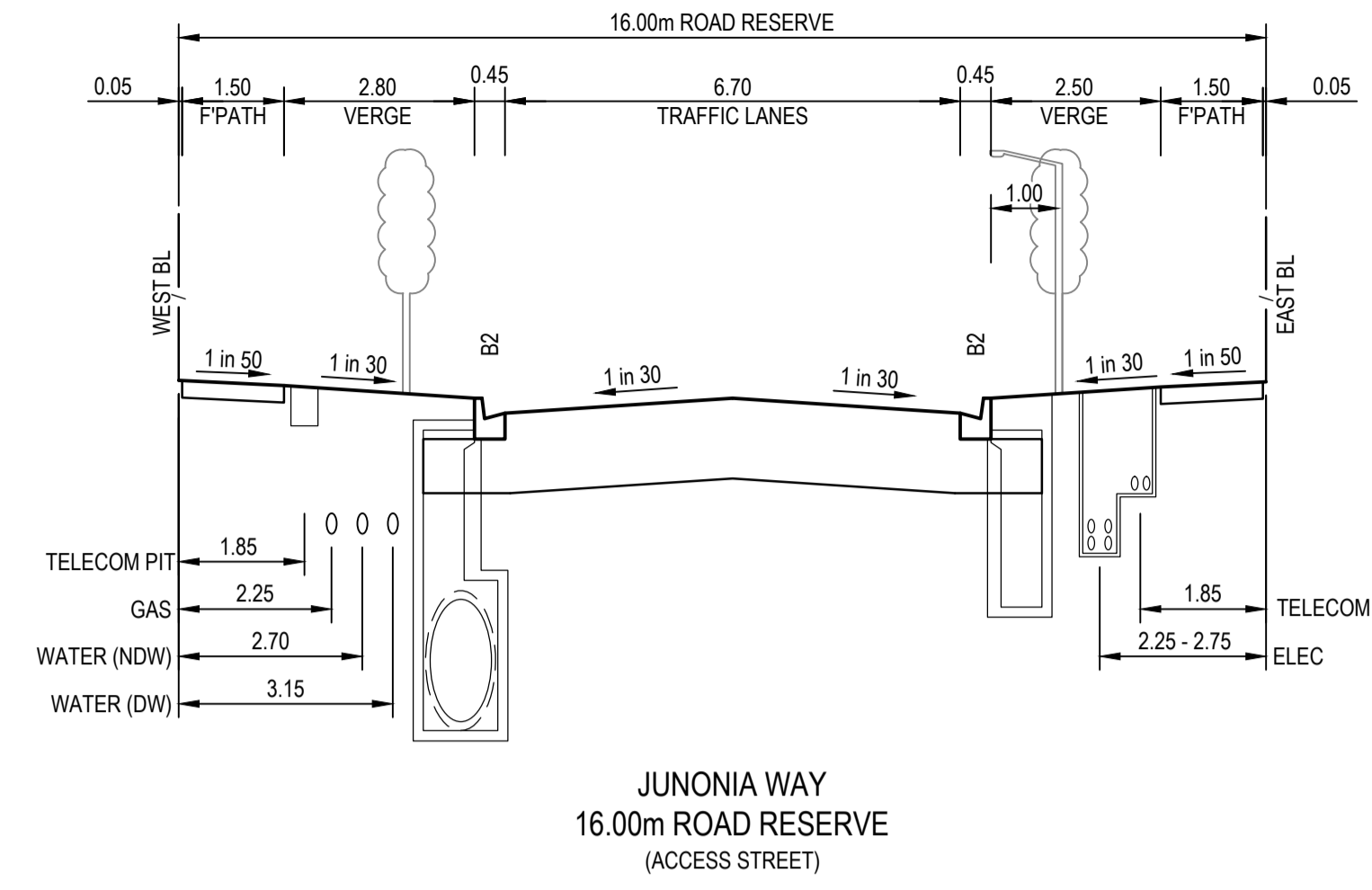
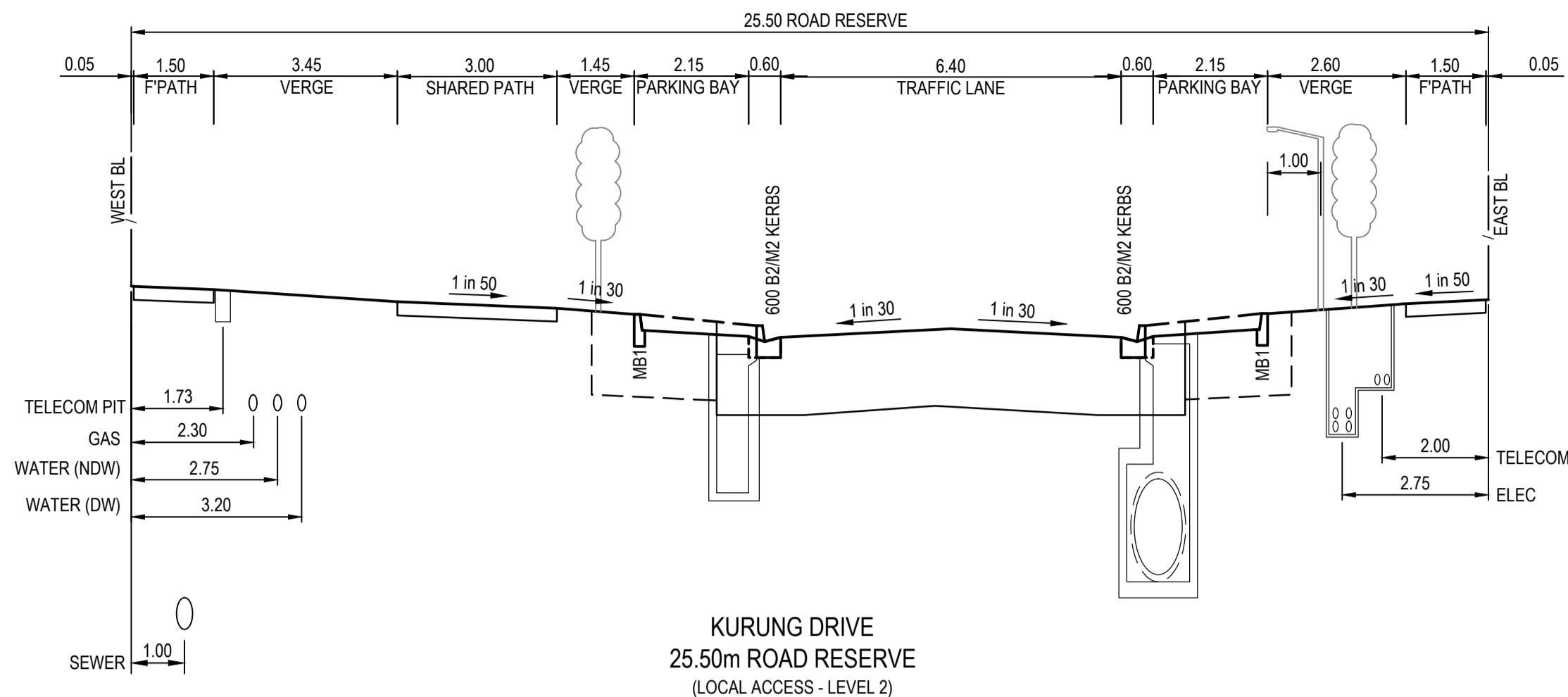
© Cardno Limited All Rights Reserved.  
 This document is produced by Cardno Limited solely for the benefit of and use by the client in accordance with the terms of the retainer. Cardno Limited does not and shall not assume any responsibility or liability whatsoever to any third party arising out of any use or reliance by third party on the content of this document.



Drawn N.W.	Date 03.04.2017	Client	HOBBS ROAD WYNDHAM TRUST
Checked S.C.	Date 04.04.2017	Project	SAVANA - STAGES 9A AND 9B 50 HOBBS ROAD, WYNDHAM VALE WYNDHAM CITY COUNCIL
Designed M.S.	Date 31.03.2017	Status	FOR EXTERNAL ISSUE NOT TO BE USED FOR CONSTRUCTION PURPOSES
Verified	Date	Datum	AHD
Approved	Date	Melways Ref	233 H10
		Scale	1:500
		Size	A1
		Drawing Number	V170212-CI-0050
		Revision	5

**COUNCIL REFERENCE**  
 WYP7871/14.17

DATE PLOTTED: 4 July 2017 4:56 PM BY: ALI FAMILI



**TYPICAL ROAD CROSS SECTIONS**

NOT TO SCALE  
NOTE: STREET TREES CENTRALLY LOCATED BETWEEN BACK OF KERB AND EDGE OF FOOTPATH UNLESS SHOWN OTHERWISE

**WARNING**  
EXTERNAL APPROVAL  
THIS DRAWING IS SUBJECT TO THE APPROVAL OF WYNDHAM CITY COUNCIL AND IS A PRELIMINARY ISSUE

**COUNCIL REFERENCE**  
WYP7871/14.17

XREFS: CAD File: M:\2017\0001\_0500\1710212\_Savana\_Stages\_9\Civil\Drawing\1710212-CI-0100.dwg

Rev.	Date	Description	Des.	Verif.	Appd.
3	04.07.2017	EXTERNAL ISSUE		M.S.	S.C.
2	17.05.2017	EXTERNAL ISSUE		M.S.	S.C.
1	15.05.2017	EXTERNAL ISSUE		M.S.	S.C.



© Cardno Limited All Rights Reserved.  
This document is produced by Cardno Limited solely for the benefit of and use by the client in accordance with the terms of the retainer. Cardno Limited does not and shall not assume any responsibility or liability whatsoever to any third party arising out of any use or reliance by third party on the content of this document.



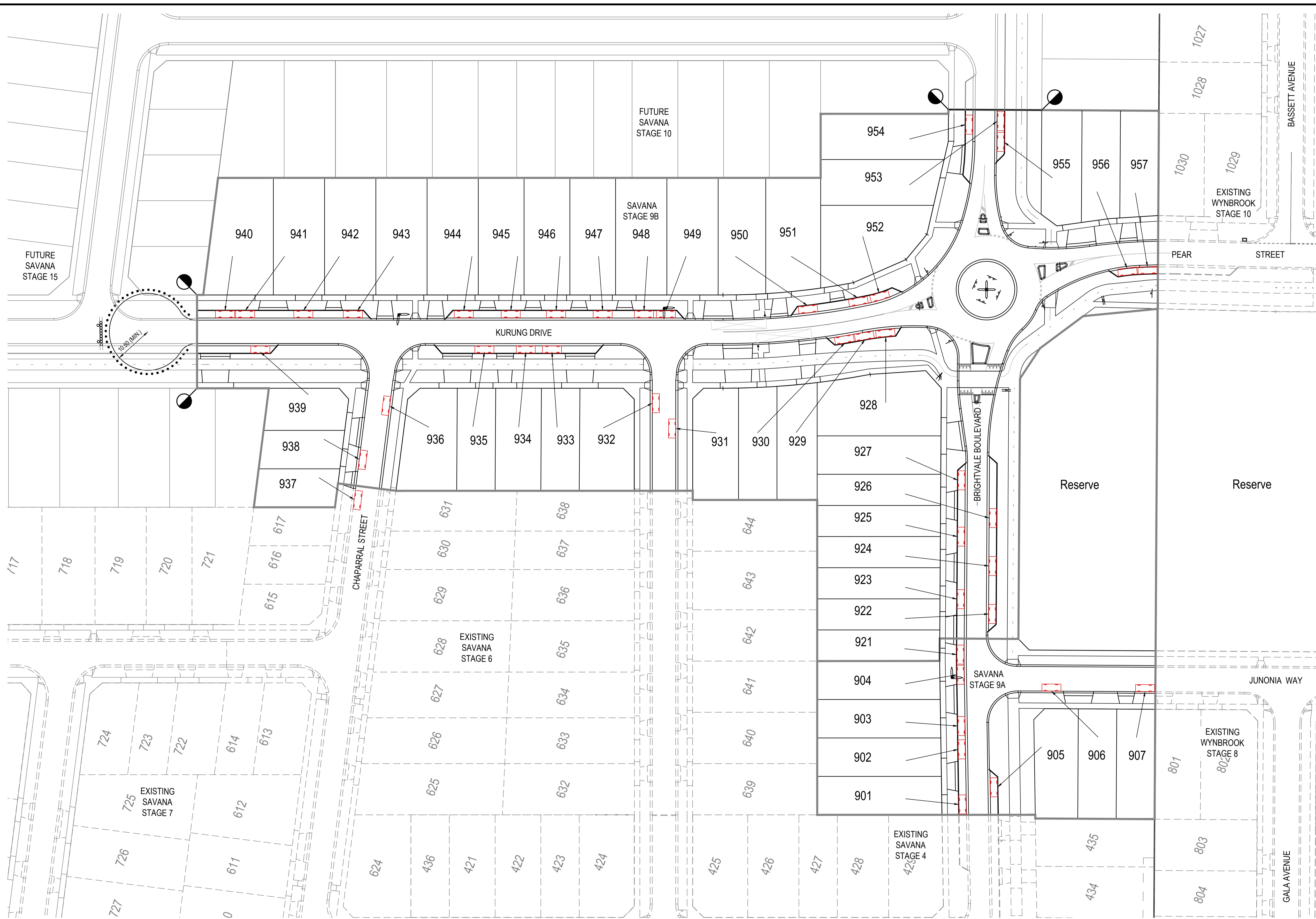
Drawn	A.F.	Date	12.05.2017
Checked	S.C.	Date	15.05.2017
Designed	M.S.	Date	31.03.2017
Verified		Date	
Approved		Date	

Client	HOBBS ROAD WYNDHAM TRUST
Project	SAVANA - STAGES 9A AND 9B 50 HOBBS ROAD, WYNDHAM VALE WYNDHAM CITY COUNCIL
Title	FUNCTIONAL LAYOUT TYPICAL ROAD CROSS SECTIONS

Status	<b>FOR EXTERNAL ISSUE</b> NOT TO BE USED FOR CONSTRUCTION PURPOSES
Datum	AHD
Melways Ref	233 H10
Scale	N.T.S.
Size	A1
Drawing Number	V170212-CI-0100
Revision	3

DATE PLOTTED: 1 August 2017 4:43 PM BY: NATHAN WHITE

XR-1616288-CI-BASE: XR-V170157-CI-BASE: XR-V170212-CI-BASE: XR-V161386C-CI-BASE: XR-V161541-CI-BASE: XR-03150819-CI-BASE  
 CAD File: M:\2017\0001\_0500\170212\_Savana\_Stages\_9\Civil\Drawing\170212-CI-0150.dwg



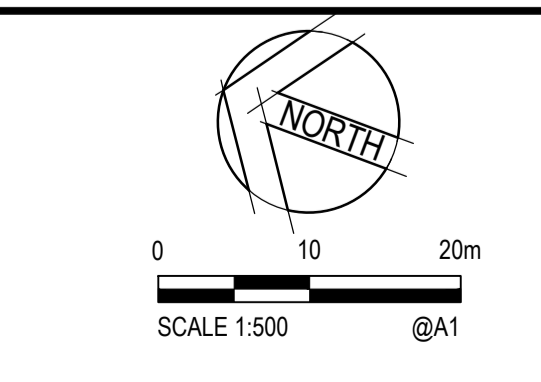
**LEGEND**

	EXISTING SURFACE CONTOUR - MAJOR
	EXISTING SURFACE CONTOUR - MINOR
	KERB AND CHANNEL (AS SHOWN)
	LIMIT OF WORKS
	LINEMARKING AND RRPMs
	"NO ROAD" SIGN AND BARRIER
	CAR PARKING FOR EACH LOT

**WARNING**  
 EXTERNAL APPROVAL  
 THIS DRAWING IS SUBJECT TO THE APPROVAL OF  
**WYNDHAM CITY COUNCIL**  
 AND IS A PRELIMINARY ISSUE

**COUNCIL REFERENCE**  
 WYP7871/14.17

Rev.	Date	Description	Des.	Verif.	Appd.
4	28/07/2017	EXTERNAL ISSUE	M.S.	S.C.	
3	04/07/2017	EXTERNAL ISSUE - STAGE 9B LOTS AMENDED	M.S.	S.C.	
2	15/05/2017	EXTERNAL ISSUE	M.S.	S.C.	
1	06/04/2017	PRELIMINARY ISSUE	M.S.	S.C.	



© Cardno Limited All Rights Reserved.  
 This document is produced by Cardno Limited solely for the benefit of and use by the client in accordance with the terms of the retainer. Cardno Limited does not and shall not assume any responsibility or liability whatsoever to any third party arising out of any use or reliance by third party on the content of this document.



Drawn	N.W.	Date	03.04.2017
Checked	S.C.	Date	04.04.2017
Designed	M.S.	Date	31.03.2017
Verified		Date	
Approved		Date	

Client **HOBBS ROAD WYNDHAM TRUST**

Project **SAVANA - STAGES 9A AND 9B**  
**50 HOBBS ROAD, WYNDHAM VALE**  
**WYNDHAM CITY COUNCIL**

Title **FUNCTIONAL LAYOUT**  
**CAR PARKING PLAN**

Status	<b>FOR EXTERNAL ISSUE</b>				
	<b>NOT TO BE USED FOR CONSTRUCTION PURPOSES</b>				
Datum	AHD	Melways Ref	233 H10	Scale	1:500
Size	A1		Revision	4	
Drawing Number	V170212-CI-0150				